



Production Equipment > Downhole Tubing Drains

The Hawkeye Industries Inc. tubing drain significantly out-performs drains available today. The pressure activated device, located near the bottom of the tubing string, allows oil and other sediments to flow from the tubing string, enabling safer, cleaner, and easier well maintenance.

Design

The Hawkeye Tubing Drain has both increased drain capacity, and tensile strength relative to others on the market today, as a result of the unique port configuration.

Construction

The EUE threads of the Hawkeye Tubing Drain meet fully API Spec 5B - 1998 (2004), and the drain itself meets EUE Coupling dimensions specified in API Spec 5CT - 2005. All drains come with mechanical activation grooves, and generous bevels.

Flexibility

Tubing Drains are available in four EUE sizes (2-3/8, 2-7/8, 3-1/2 and 4-1/2 Tubing) and one of six (ten for the 4-1/2 model) activation pressures, based on number of shear screws used. Additionally, shear screws and seals are available as a spare-part replacement kit.

The Hawkeye tubing drain is unique in that it can be manually activated. With the mechanical activation kit, a shop press is all that is required to activate an intact drain.

Compatibility & Refurbishment

The shear screws used on the Hawkeye Tubing Drain are compatible with other drains that use brass shear screws. However, the pressure sleeve is not interchangeable with other manufacturer's drains. It is recommended that only Hawkeye parts are used to repair or refurbish Hawkeye Tubing Drains.

Ordering Information

1.) Specify tubing size

Note: Drain ships with a full complement of screws installed

2.) Specify material (if non-standard)



Above: Hawkeye Tubing Drains, available in (L-R) 3-1/2 EUE, 2-3/8 EUE and 2-7/8 EUE.

Inset: 2-7/8 EUE tubing drain shown with mechanical activation kit.



Activation Pressure

Drain Size	Number of Shear Screws									
(EUE)	1	2	3	4	5	6	7	8	9	10
2-3/8	900	1800	2700	3600	4500	5400	-	-	-	-
2-7/8	800	1600	2400	3200	4000	4800	-	-	-	-
3-1/2	700	1400	2100	2800	3500	4200	-	-	-	-
4-1/2	500	1000	1500	2000	2500	3000	3500	4000	4500	5000

Dimensions

Tubing Size (EUE)	Length (in)	OD (in)	ID (in)
2-3/8	11.5	3.38	2.00
2-7/8	12.3	3.88	2.44
3-1/2	13.5	4.50	2.99
4-1/2	16	5.56	3.96

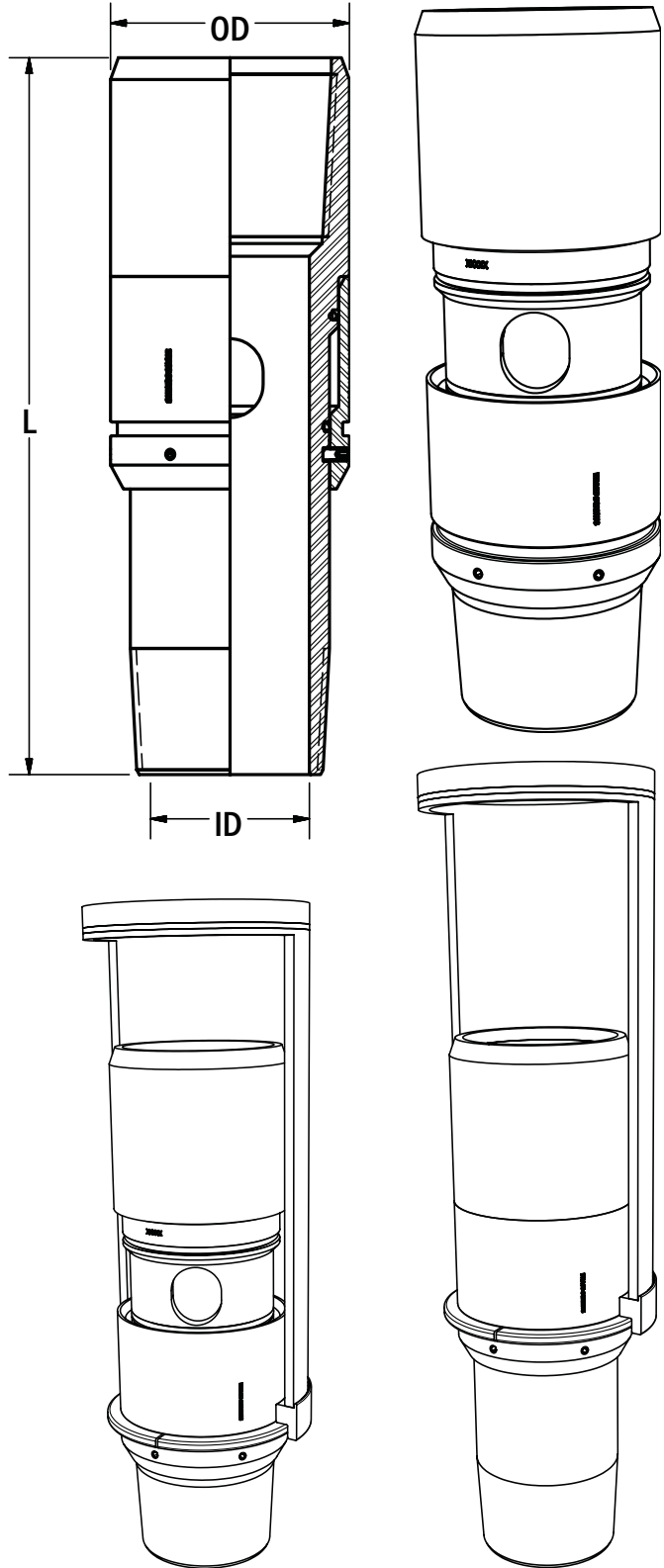
Materials of Construction

Component	Material
Body	AISI 1026 / ASTM A519L L80 Eq
Sleeve	AISI 4140 P110 Eq
Screws	Proprietary Brass Alloy
Seals	Viton



Service Kits:

Hawkeye offers tubing drain service kits for all sizes. Kits include 6 shear screws and 2 o-rings, and can be used to refurbish competitor drains, in addition to Hawkeye drains.



Clockwise from top Left:

Tubing Drain Dimensions; Activated Tubing Drain, revealing drain ports; Unactivated Tubing Drain with Mechanical Activation Tool (in cross-section) installed; Mechanically Activated Tubing Drain.