



Level Indication > Standard

Model 750

When emission prevention and control are not required, the Model 750 Gauge Head provides a simple and economical choice. The easy-to-install gauge works on any size storage, production or mud tank.



Design

The Model 750 features a two-pulley design with an adjustable pulley position to suit your tank configuration. Close tolerance between the pulleys and housing eliminate cable “jumping,” and the top cover and vent holes work to prevent the gauge head from icing.

Construction

Cast aluminum alloy provide a durable and corrosion resistant cover for the Model 750 Gauge Head. The nylon pulleys are supported by stainless steel clevis-pin axels.

Flexibility

The clevis pins allow quick removal of the pulleys for simple and efficient cable assembly. Additionally, the adjustable pulley allows gauge board mounting flexibility.

Ordering Information

- 1.) Specify Model 750 Gauge Head System
- 2.) Specify Tank Height and Volume
- 3.) Specify Gauge Board Readout (Volume or Linear Height)
- 4.) Specify Level Switches (if required)
- 5.) Specify Float Guide Anchor Plate (required if tank does not have attachment points at bottom for float guide cables))

Top: Model 750 Gauge Head

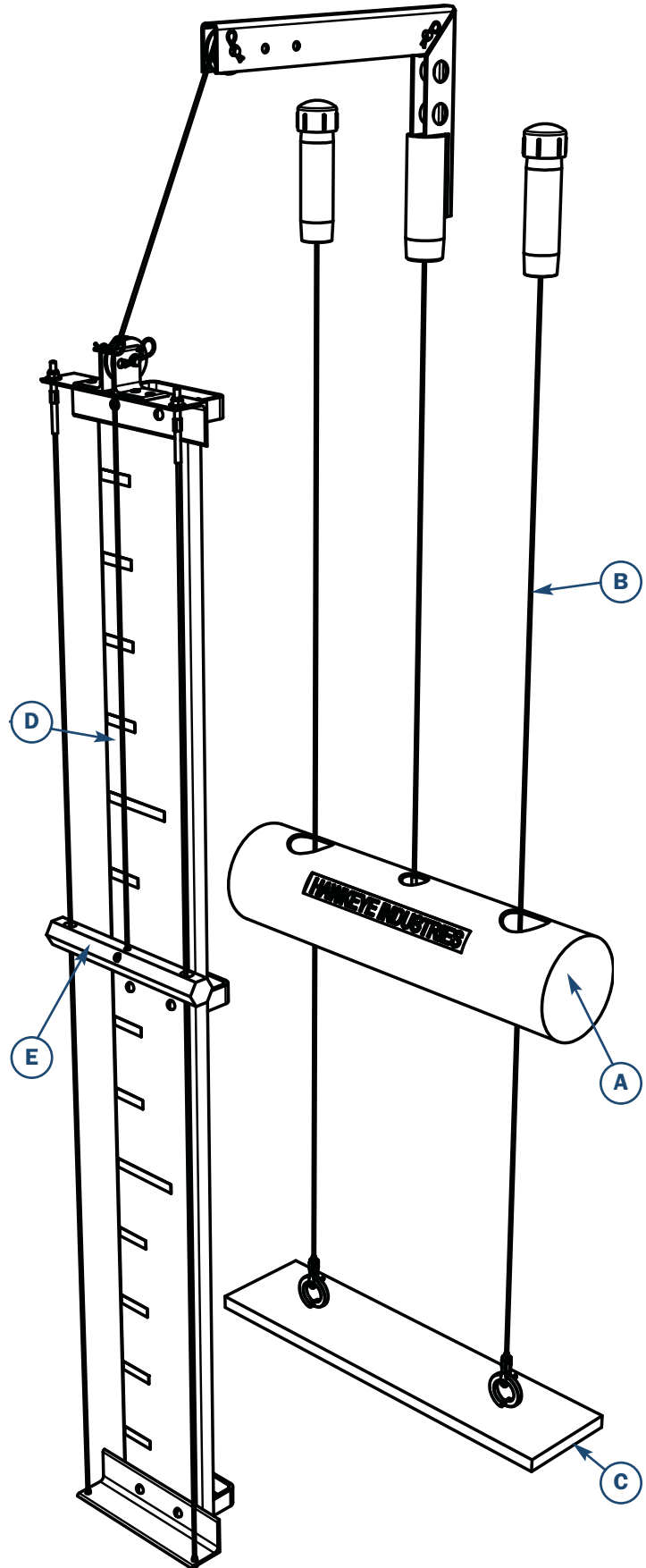
Above(Inset): Pulley Adjustment holes (Detail)

Below: Integrated Cross Vent Holes (Detail)



Specifications

Measuring Principle	Float
Maximum Range	24 m [80 ft]
Local Display	Gauge Board & Indicator
Process Connection	1-1/2 NPT
Process Temperature	-40°C to 80°C (w/ PE Float)
Ambient Temperature	-40°C to 70°C
Pressure	Atmospheric



Related Products

Add these items to complete the Model 750 Gauging System.

- ▶ Polyethylene or Stainless Steel Float (A)
- ▶ Float Guide Kit (B)
- ▶ Float Guide Anchor Plate (C)
- ▶ Gauge Board with Decal and Mounting Clips (D)
- ▶ Indicator & Guide Kit (E)
- ▶ Level Switches (F)